

MKT CMR-22,5

MKT METALLIZED POLYESTER CAPACITORS

General data :

• Applications:

Multipurpose applications, blocking, coupling, by-passing, interference suppression.

• Dielectric:

Polyester film(Polyethylene Terephthalate), self-regenerating.

• Plates:

Aluminium layer deposited by e under vacuum.

• Winding :

Non-inductive type.

• Leads:

Tinned wire.

$\phi=0,8$ pcm>10; $\phi=0,6$ pcm=10

pcm 5: B>3,5 $\phi=0,8$; B<3,5 $\phi=0,6$

• Protection:

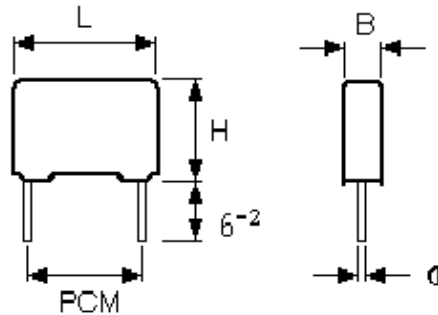
Plastic case, epoxy resin filled.

• Technical terms and test:

IEC 384-1/2 IEC68

• Climatic category:

(IEC 68-1) 55/100/56



Electrical characteristics:

• Nominal voltage (Vn dc):

50- 63-100-250-400-630-1000

• Dissipation Factor (Df at 25°C):

1 Khz = $<100 \times 10^{-4}$

10 Khz = $<150 \times 10^{-4}$

• Insulation Resistance (Ri):

Temperature: 25°C

Voltage charge:

Charge time: 1 minute

50 Vdc for $V_n < 100$ Vdc
100 Vdc for $V_n \geq 100$ Vdc
500 Vdc for $V_n \geq 500$ Vdc

≤ 100 Vdc
 $C \leq 0,1 \mu F = 25.000$ Mohm
 $C > 0,1 \mu F = 2.500$ sec.

$V_n > 100$ Vdc
 $C \leq 0,33 \mu F = 30.000$ Mohm
 $C > 0,33 \mu F = 10.000$ sec.

• Test Voltage:

(2 seg. at 25°C) $1,6 \times V_n$

• Life test:

Temperature: 85°C

Voltage: $1,25 \times V_n$

Duration: 1.000 hours

Variations:
Capacitance: $< 2\%$
Df change: $< 30 \times 10^{-4}$
Insulation: $>$ limit value

•Notes: -All dimensions are in mm.

- Other versions available upon request.

MKT CMR-22,5

Voltage Voltaje	Capacitance Capacidad	Dimensions max Dimension máx				dV/dt V/ μ s	Code Codigo
		B	H	L	pcm		
100Vdc 63 Vac	1	6,5	15	25,5	22,5	2	aCMRS0QC*H7/1
	1,5	6,5	15	25,5	22,5	2	aCMRS0QC*H7/15
	2,2	8,5	18	25,5	22,5	2	aCMRS0QC*H7/22
	3,3	8,5	18	25,5	22,5	2	aCMRS0QC*H7/33
250 Vdc 160 Vac	0,33	6,5	15	25,5	22,5	8	aCMRS0SC*H6/33
	0,47	6,5	15	25,5	22,5	8	aCMRS0SC*H6/47
	0,68	6,5	15	25,5	22,5	8	aCMRS0SC*H6/68
	1	6,5	15	25,5	22,5	8	aCMRS0SC*H7/1
	1,5	8,5	18	25,5	22,5	8	aCMRS0SC*H7/15
	1,5	6,5	15	25,5	22,5	8	aCMRSBSC*H7/15
400 Vdc 200 Vac	0,22	6,5	15	25,5	22,5	10	aCMRS0TC*H6/22
	0,33	8,5	18	25,5	22,5	10	aCMRS0TC*H6/33
	0,33	6,5	15	25,5	22,5	10	aCMRSATC*H6/33
	0,47	8,5	18	25,5	22,5	10	aCMRS0TC*H6/47
	0,47	6,5	15	25,5	22,5	10	aCMRSATC*H6/47
630 Vdc 220 Vac	0,1	6,5	15	25,5	22,5	12	aCMRS0UCJH6/1
	0,15	6,5	15	25,5	22,5	12	aCMRS0UCJH6/15
	0,22	8,5	18	25,5	22,5	12	aCMRS0UCJH6/22
1000 Vdc 250 Vac	0,033	6,5	15	25,5	22,5	15	aCMRS0VCJH5/33
	0,047	6,5	15	25,5	22,5	15	aCMRS0VCJH5/47
	0,068	8,5	18	25,5	22,5	15	aCMRS0VCJH5/68
	0,1	8,5	18	25,5	22,5	15	aCMRS0VCJH6/1